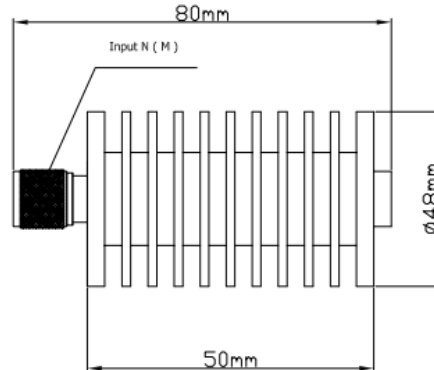


20 W Coaxial Termination DC-12.4GHz

Model: ATF-20W-12.4GHz-Y DC-12.4GHz 20Watts



Coaxial fixed terminations absorb RF & microwave energy and are commonly used as dummy loads of antenna and transmitter. They are also used as match ports in many multiport microwave devices such as circulator and directional coupler to make these ports which are not involved in the measurement be terminated in their characteristic impedance in order to ensure an accurate measurement.

ATF serial coaxial fixed termination's average power 2W-10KW, frequency range dc-18GHz and feature wide frequency band, low VSWR, excellent capacity in anti-pulse and anti-burnout.

MECHANICAL SPECIFICATIONS	
CONNECTORS	Brass Nickel Plated
PIN	Brass Silver Plate
HOUSING	Aluminium, Black Anodize
INSULATOR	PTFE Virgin Electrical Grade
OPERATING TEMP.	-55° C to +125° C
WEIGHT kg	0.20kg

RoHS compliant: Yes

ELECTRICAL SPECIFICATIONS

Model	Frequency Range (GHz)	Max VSWR	Power Avg (W)	Power Peak (W)	Dimensions (mm)
ATF-20-4GHz-Y	DC-4	≤1.20	20	1000	Ø48 x 80
ATF-20-8GHz-Y	DC-8	≤1.25			
ATF-20-12.4GHz-Y	DC-12.4	≤1.30			

Nominal impedance: 50Ω

PORT: N, SMA

AVERAGE POWER: 20W average to 25°C ambient temperature, derated linearly to 2W @125°C.

PEAK POWER: 1kW (5μs pulse width 2% duty cycle)

3rdORDER INTERMODURATION (Optional): Reflected Levels (IM3) <-100dbc with two input signals@935MHz and 960MHz with average carrier power levels of 43dBm each

CONNECTOR TYPE: N TYPE (MALE)

Notes:

- 1) Dimensions Tolerance ±5%
- 2) Dimension and specifications refer to connector type N unless otherwise specified
- 3) Customer designs available for other special attenuators value and accuracy