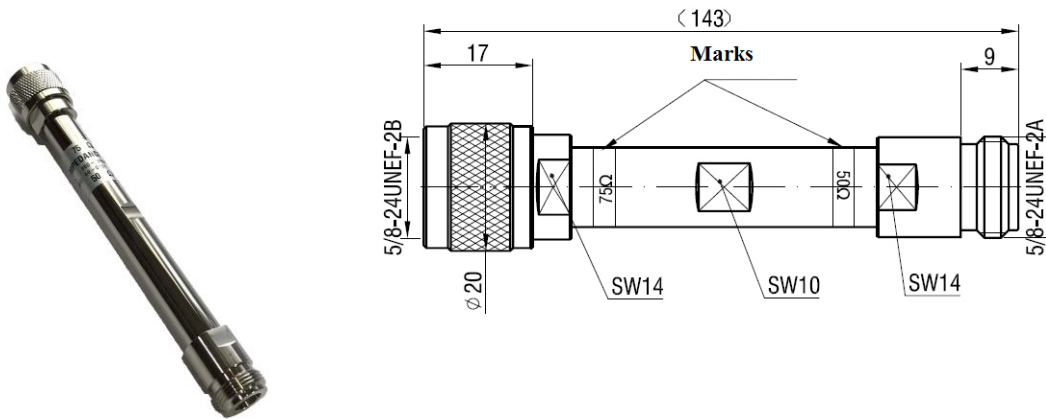


Coaxial Impedance Matching Pad

N 75ohm (Male) to 50ohm (Female)

Model: KPD-NMF7550-0.85-2.1



Impedance Matching Pads are used to connect two systems that have different impedances. For example, connecting a 50-ohm cable to a 75-ohm system, will result in an impedance mismatch that will cause unwanted reflections at the interface of the mismatch, thereby effecting the integrity of the signal. By using an impedance matching pad, the mismatch is accounted for and the unwanted reflections are minimized.

KPD serial coaxial Matching Pad's average power 200W, the frequency range cover L band, low VSWR, low insertion loss value, excellent capacity in anti-pulse and anti-burnout

MECHANICAL SPECIFICATIONS	
CONNECTORS	Brass Nickel Plated
PIN	Beryllium copper Gold Plate
HOUSING	Aluminium Black Anodised
INSULATOR	PTFE Virgin Electrical Grade
OPERATING TEMP.	-55° C to +125° C
Dimensions (mm)	Ø143 x 22mm
WEIGHT kg	220g

RoHS compliant: Yes

Specifications

Model Number	Frequency Range GHz	Insertion loss	VSWR	Power
KPD-NMF7550-L1	0.85-2.1	0.9dB±0.2 dB	1.20 (N 50 Ω)	250W

Connector Ports:

N (male): 75Ω
N (Female): 50Ω

Notes:

- 1) Dimensions Tolerance ±5%
- 2) Dimension and specifications refer to connector type N unless otherwise specified
- 3) Customer designs available for other special attenuators value and accuracy