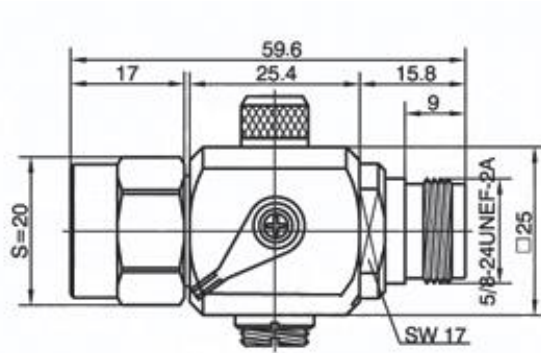


## GAS Discharge Tube Lightning Protector

Model: LA-2.7GHz-NMF-XXX DC – 2.7GHz



LA surge protectors look like in-line coaxial adapters using interfaces like N or 7/16, and that contain a field replaceable gas capsule placed between their inner and outer conductors. Unlike single band quarter wave protectors, gas tube surge arresters can be used for broadband applications. Their operating frequency band is DC to 3.5GHz.

MECHANICAL SPECIFICATIONS	
CONNECTORS	Brass Nickel Plated
PIN	Brass Silver Plate
HOUSING	Brass Nickel Plated
INSULATOR	PTFE Virgin Electrical Grade
DIMENSIONS	59.6 x 20 x 35mm
OPERATING TEMP.	-20° C to +50° C
WEIGHT g	147g

RoHS compliant: Yes

### ELECTRICAL SPECIFICATIONS

Items	Specifications		
Frequency range: (MHz)	DC-2700		
Nom. discharge current In:	20 kA		
Rated DC Voltage	90V±20%	145V±20%	230V±20%
Insertion Loss dB@2.5GHz	≤0.1	≤0.1	≤0.1
Insertion Loss dB@3.5GHz	≤0.15	≤0.15	≤0.15
VSWR:	<1.2		
Connector:	N type Male / Female		

Nominal impedance: 50Ω

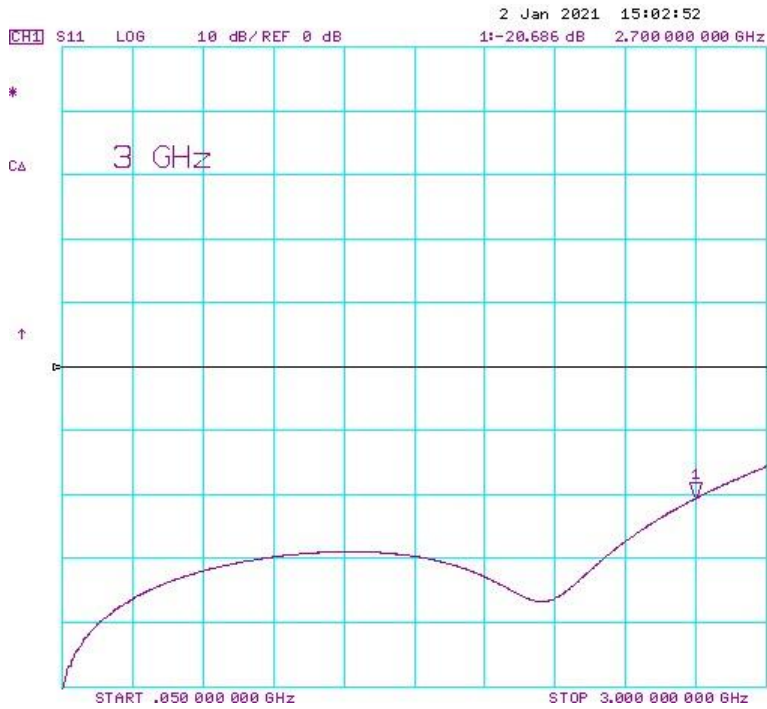
#### Notes:

- 1) Dimensions Tolerance ±5%
- 2) Dimension and specifications refer to connector type N unless otherwise specified
- 3) Customer designs available for other special attenuators value and accuracy

## GAS Discharge Tube Lightning Protector

**Model: LA-2.7GHz-NMF-XXX DC – 2.7GHz**

Typical Input return loss (s11)



Typical insertion loss (S21)

