

3.5mm(female) to 3.5mm(female) Adapter (DC-26.5GHz)

Model	Description	SKU No.
3.5mm–FF-26.5-110	3.5mm (female) to 3.5mm (female) adapter, 50 Ω, 26.5GHz	01-0984

Scope:

The 3.5mm–FF-26.5-110 adapter is the option adapter for 3.5mm port calibration kit. The adapter frequency range is covered from DC to 26.5GHz. The EUC900-3.5mm calibration kit can replace Agilent 85033E calibration kits, the 85033E calibration coefficient data can be used directly to achieve the high calibrations specification below.



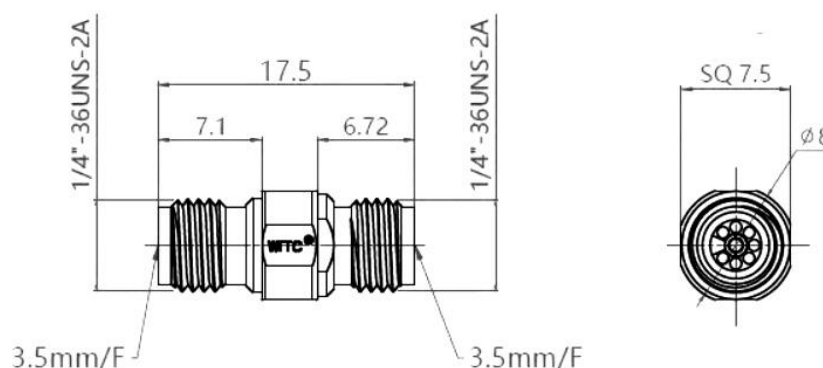
3.5mm–FF-26.5-110

ELECTRICAL SPECIFICATIONS	
Frequency band	DC-26.5GHz
Return Loss(dB)	≤-40dB DC-5GHz ≤-32dB DC-9GHz ≤-26dB DC-26.5GHz
Insertion Loss(dB)	≤0.04*SQRT(F)
Centre contact resistance (mΩ)	≤3.0
Outer contact resistance (mΩ)	≤2.0
Test Voltage (Vrms)	≤750

Note: value at 25°C sea level

MECHANICAL SPECIFICATIONS	
CONNECTOR BODY	Stainless Steel Passivated
INNER PIN	Au-plated CuBe alloy
INSULATOR	PEI
TORQUE:	0.9N-m
CYCLE LIFE:	2000Min.
OPERATING TEMP:	-60°C to 85°C
SIZE:	17.5mm X 8.0mm
WEIGHT:	7.0g

RoHS compliant: Yes



Unit: mm

Options:

Model	Description	SKU No.
3.5mm–MM-26.5-110	3.5mm (male) to 3.5mm (male) adapter, DC-26.5GHz VSWR<1.1	01-0983
EUC900-3.5mmM	Calibration Kit (3.5mm, 50 Ω, 9GHz male)	55-0207M
EUC900-3.5mmF	Calibration Kit (3.5mm, 50 Ω, 9GHz female)	55-0207F