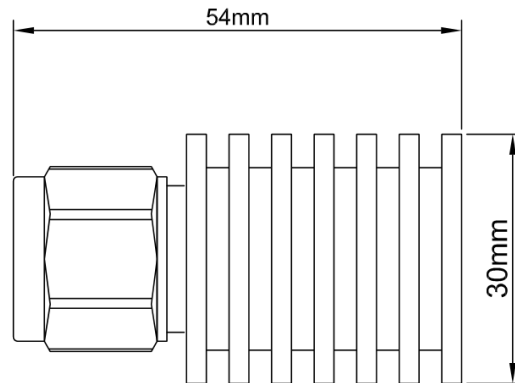


## 10W Precision Coax Termination N male

Model: NM-10W-4.0GHz DC- 4.0GHz 10Watts



Coaxial fixed termination are used in absorbing energy of transmission line, expanding power range and controlling power level, they are also used in accurately measuring power or spectrum of RF microwave transmitters accompany with small power meter, comprehensive tester or spectrum analyzer.

NM serial coaxial fixed attenuators' average power 1W-10W, frequency range DC-26.5GHz and feature wide frequency band, low VSWR, flatness attenuation value, excellent capacity in anti-pulse and anti-burnout

MECHANICAL SPECIFICATIONS	
CONNECTORS	Brass Nickel Plated
PIN	Beryllium copper Gold Plate
HOUSING	Aluminium Black Anodised
INSULATOR	PTFE Virgin Electrical Grade
OPERATING TEMP.	-55° C to +125° C
DIMENSION (mm)	∅30 x 54mm
WEIGHT kg	60g

RoHS compliant: Yes

### ELECTRICAL SPECIFICATIONS

Model	Frequency Range (GHz)	Power AVG(W)	Max VSWR
NM-10W-4.0GHz	DC - 4.0	10	≤1.05 (DC-1GHz) ≤1.15 (1GHz-4GHz)

**Nominal impedance:** 50Ω

**AVERAGE POWER:** 10W average to 25°C ambient temperature, derated linearly to 0.5W @ 125°C.

**PEAK POWER:** 0.5kW (5μs pulse width 0.4% duty cycle)

**CONNECTOR TYPE:** N (male)

#### Notes:

- 1) Dimensions Tolerance ±5%
- 2) Dimension and specifications refer to connector type N unless otherwise specified
- 3) Customer designs available for other special attenuators value and accuracy