



2.92mm BH female to 2.92mm female adapter 40GHz

Model: BH2.92FFF



MECHANICAL SPECIFICATIONS	
CONNECTORS	Stainless Steel passivated
PIN	Beryllium copper Gold Plate
HOUSING	stainless Steel passivated
INSULATOR	PTFE Virgin Electrical Grade
OPERATING TEMP.	-20° C to +80° C
Dimensions (mm)	19.1mm x 11mm
Interface Standard	IEC-61169
WEIGHT kg	0.02

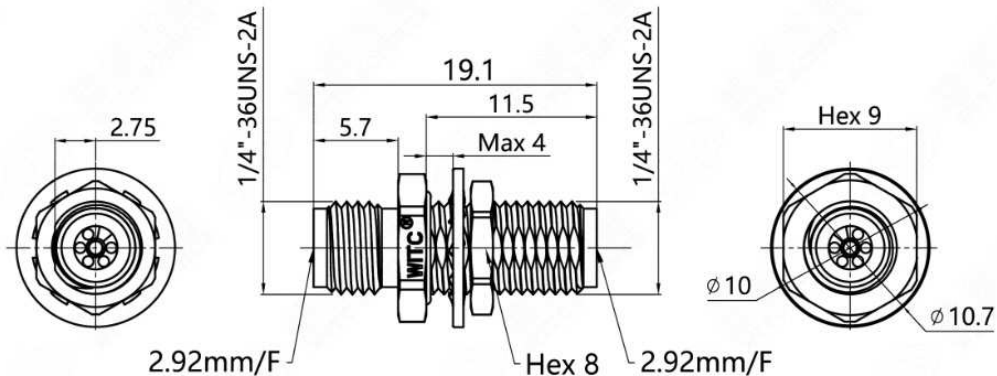
RoHS compliant: Yes

ELECTRICAL SPECIFICATIONS

Model	Frequency Range (GHz)	Return Loss (dB)	VSWR	Durability
BH2.92FFF	DC-40	≤-20	≤1.2	≥500

Nominal impedance: 50Ω

Connector: 2.92mm (F) / 2.92mm (F)



Mounting hole size

