

2.9mm(female) to 2.9mm(female) Adapter (DC-40GHz)

Model	Description	SKU No.
2.9mm–FF-120	2.9mm (female) to 2.9mm (female) Adapter, 50 Ω, 40GHz	01-0986

Scope:



The 2.9mm–FF-40-120 adapter is the 2.9mm female gender adapter for microwave millimeter wavelength test. The adapter frequency range is covered from DC to 40GHz. The excellent electrical performance provides the 1.2Max VSWR. Racomtech also supplies 2.9mm male to male and other genders

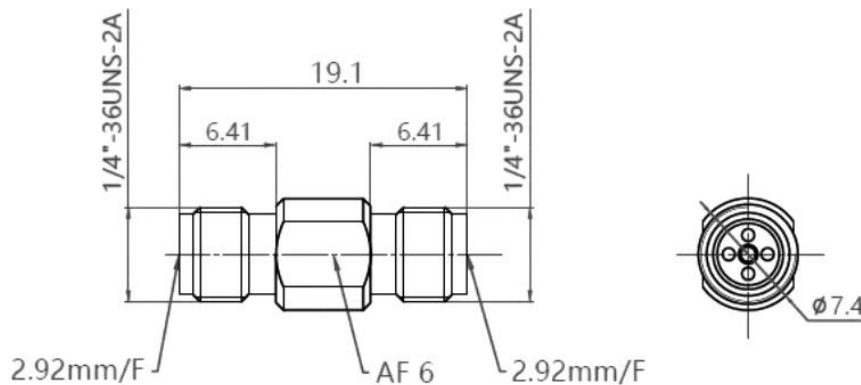
2.9mm–FF-40-120

ELECTRICAL SPECIFICATIONS	
Frequency band	DC-40GHz
Return Loss(dB)	≤-40dB DC-5GHz ≤-30dB DC-12.4GHz ≤-20.8dB DC-40GHz
Insertion Loss(dB)	≤0.04*SQRT(F)
Centre contact resistance (mΩ)	≤3.0
Outer contact resistance (mΩ)	≤2.0
Test Voltage (Vrms)	≤750

Note: value at 25°C sea level

MECHANICAL SPECIFICATIONS	
CONNECTOR BODY	Stainless Steel Passivated
INNER PIN	Au-plated CuBe alloy
INSULATOR	PEI
TORQUE:	0.9N-m
CYCLE LIFE:	1000Min.
OPERATING TEMP:	-60°C to 85°C
SIZE:	17.5mm X 8.0mm
WEIGHT:	7.0g

RoHS compliant: Yes



Unit: mm

Options:

Model	Description	SKU No.
2.9mm–MM-40-120	2.9mm (male) to 2.9mm (male) adapter, DC-40GHz VSWR<1.2	01-0985
2.9mm–MF-40-120	2.9mm (male) to 2.9mm (female) adapter, DC-40GHz VSWR<1.2	01-0988
2.9mm–FF-40-120	2.9mm (female) to 2.9mm (female) adapter, DC-40GHz VSWR<1.2	01-0987



2.9mm(female) to 2.9mm(female) Adapter (DC-40GHz)

